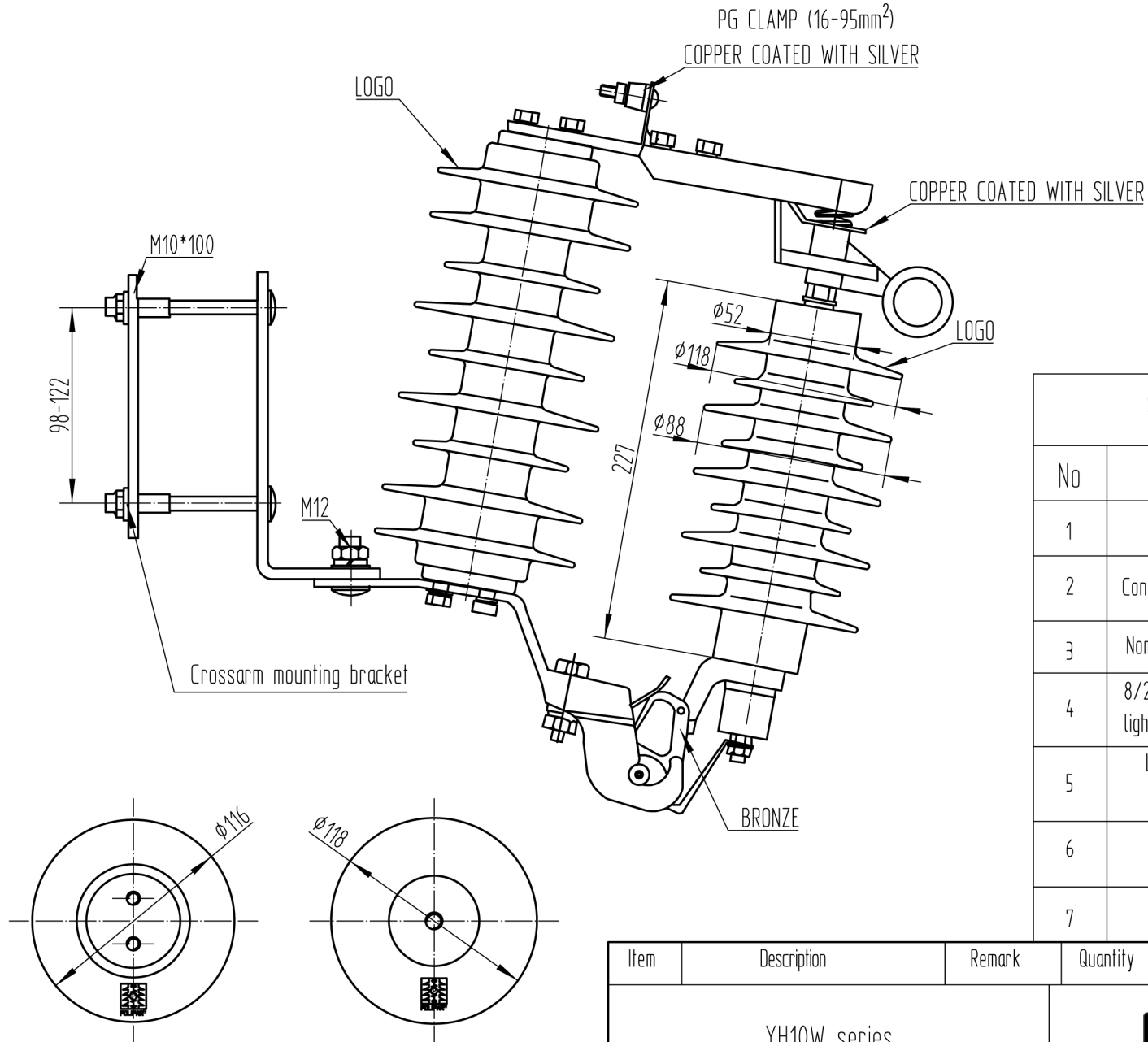


T21031803R1



Surge arrest performance data

No	Item	Data	Unit	Noted
1	Rated voltage	21	kV	
2	Continuous operating voltage	16.8	kV	
3	Nominal discharge current	10	kA	
4	8/20 μs residual voltage of lightning impulse of 2mS	<63	kV	
5	Long-duration current impulse of 2mS	400	A	
6	High current impulse of 4/10 μs	100	kA	
7	Creepage distance	625	mm	

Item	Description	Remark	Quantity	Material	Weight	Code
YH10W series			POLIPAR THE POWER OF FUTURE			
Date:19/06-2021	Type:YH10W-21		Drawing:T21031803R1			